

Manual Measuring Stage MTM 200 × 200 MR with Integrated Measuring System

Specifications

Measuring range	200 × 200 mm (8" × 8")
Accuracy	±1 µm
Resolution	0.05 µm (smallest step size)
Drive	coaxial drive, rack and pinion with patented coarse adjustment
Material	aluminium
Surface	anodic coating, black lacquered
Load capacity	3.0 kg
Weight	7.8 kg

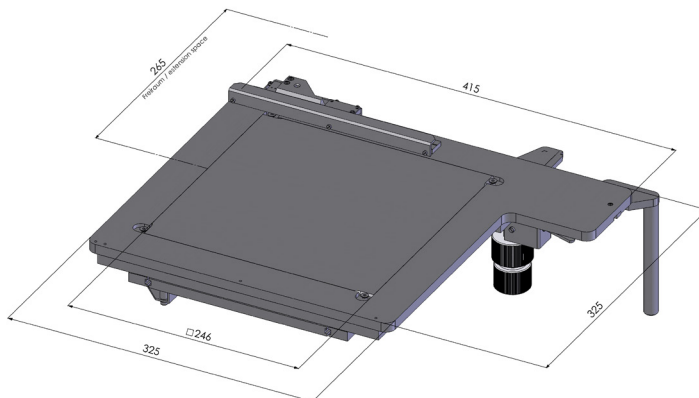
Order Information

Order No.: 00-31-807-0000

Product Features

- ▶ highest accuracy through integrated linear measuring systems
- ▶ for reflected and transmitted light applications
- ▶ equipped with patented coarse adjustment
- ▶ incl. digital readout unit PROFILER SCD

Dimensions



Accessories

Metal plate (included in delivery)
 Order No.: 00-24-801-0011

Digital readout unit PROFILER SCD
 (included in delivery)
 Order No.: 00-76-900-4830

For further accessories please visit:
www.marzhauser.com