

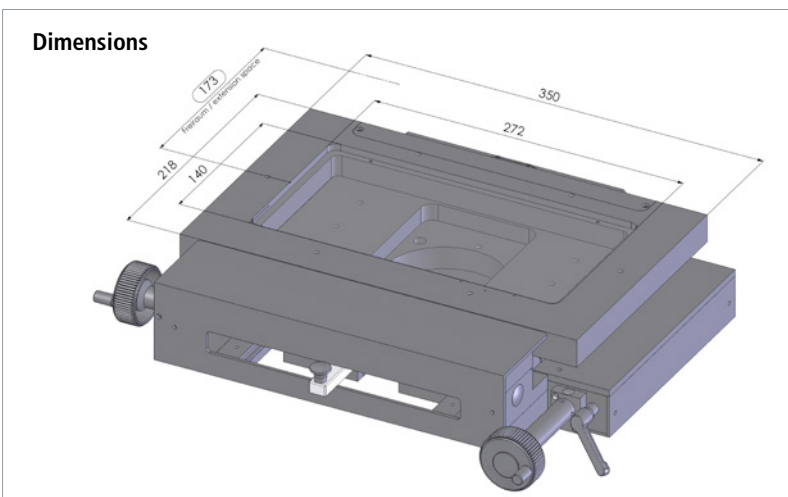
Manual Measuring Stage MT 200 x 100 MR with Integrated Measuring System

Specifications	
Measuring range	200 x 100 mm
Accuracy	+/-1 µm
Resolution	0.1 µm (smallest step size)
Drive	manual spindle drive with quick adjustment in XY
Material	aluminium
Surface	anodic coating, black lacquered
Load capacity	5.0 kg
Weight	approx. 11.8 kg

Order Information
 Order No.: 00-31-104-0000

Product Features

- ▶ highest accuracy through integrated linear measuring systems
- ▶ for reflected and transmitted light applications
- ▶ equipped with coarse positioning in XY
- ▶ incl. digital readout unit PROFILER SCD



Scope of Delivery
 Manual measuring stage MT 200 x 100 MR
 Order No.: 00-31-101-0810

Glass plate
 Order No.: 00-31-101-0810

Digital readout unit PROFILER SCD
 Order No.: 00-76-900-4830

For accessories please visit:
www.marzhauser.com