

Motorized Microscope Stage EK 75 x 50 Pilot with Integrated Controller

Specifications

Travel range	max. 76 x 52 mm (3" x 2")
Travel speed	max. 120 mm/s
Repeatability	< 1 µm (bi-directional, measured according to VDI/DGQ 3441)
Accuracy	+/-3 µm (measured according to VDI/DGQ 3441)
Resolution	0.05 µm (smallest step size)
Orthogonality	< 10 arc sec
Motor	2-phase stepper motor
Drive	X-axis: bowden cable, Y-axis: rack – pinion
Limit switches	integrated Hall sensors
Interfaces	PC: USB, HDI: HD D-Sub 15-pin socket
Material / Surface	aluminium / anodic coating, black lacquered
Worktop	CERASIST® coated
Weight	approx. 2.5 kg

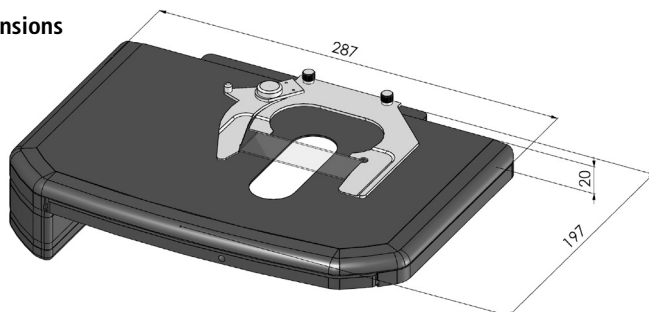
Order Information

Order No.: 00-27-352-0000
 (without operating device)

Product Features

- ▶ compact, integrated TANGO controller
- ▶ integrated linear measuring systems for highest accuracy
- ▶ **Single Cable Solution:** communication between stage and controller plus electricity supply, all in one single, flexible cable
- ▶ **Multi Adaption:** stage adapts quickly and easily to almost all current microscopes
- ▶ **One-Handed Operation:** slide can be inserted into object holder using one hand only
- ▶ CERASIST® surface – free of wear
- ▶ HDI port for connection of Joystick or ERGODRIVE

Dimensions



Accessories

Object holder for 1 slide 76 x 26 mm
 (included in delivery)

Order No.: 00-22-321-2000

2-Axes Joystick

Order No.: 00-76-200-0820

ERGODRIVE 2

Order No.: 00-27-322-1600