

## Motorized Microscope Stage EK 75 x 50 Pilot with Integrated Controller

### Specifications

Travel range	max. 76 x 52 mm (3" x 2")
Travel speed	max. 120 mm/s
Repeatability	< 1 µm (bi-directional, measured according to VDI/DGQ 3441)
Accuracy	+/-3 µm (measured according to VDI/DGQ 3441)
Resolution	0.05 µm (smallest step size)
Orthogonality	< 10 arc sec
Motor	2 phase stepper motor
Drive	X-axis: bowden cable, Y-axis: rack – pinion
Limit switches	integrated Hall sensors
Interface	USB
Material / Surface	aluminium / anodic coating, black laquered
Worktop	CERASIST® coated
Weight	approx. 2.9 kg

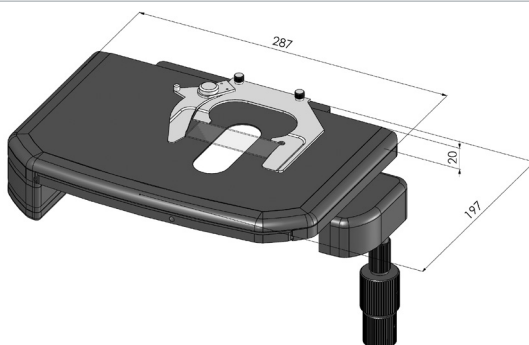
### Order Information

Order No.: 00-27-351-0000

### Product Features

- ▶ compact, integrated TANGO controller
- ▶ integrated linear measuring systems for highest accuracy
- ▶ operation via integrated coaxial drive with 2 speed ranges for coarse positioning or fine adjustment
- ▶ coaxial drive adjustable in height and friction for ergonomical handling
- ▶ **Single Cable Solution:** communication between stage and controller plus electricity supply, all in one single, flexible cable
- ▶ **Multi Adaption:** stage adapts quickly and easily to almost all current microscopes
- ▶ **One-hand Operation:** slide can be inserted into object holder using one hand only
- ▶ CERASIST® surface – free of wear

### Dimensions



### Accessories

Object holder for 1 slide 76 x 26 mm  
 (included in delivery)  
 Order No.: 00-22-321-2000