



Manual Microscope Stage EK 300 × 300 for Upright Microscopes

Specifications	
Travel range	max. 305 × 305 mm (12" × 12")
Drive	coaxial drive / rack – pinion
Material	aluminium
Surface	anodic coating, black lacquered
Load capacity	5.0 kg
Weight	approx. 18 kg

Order Information

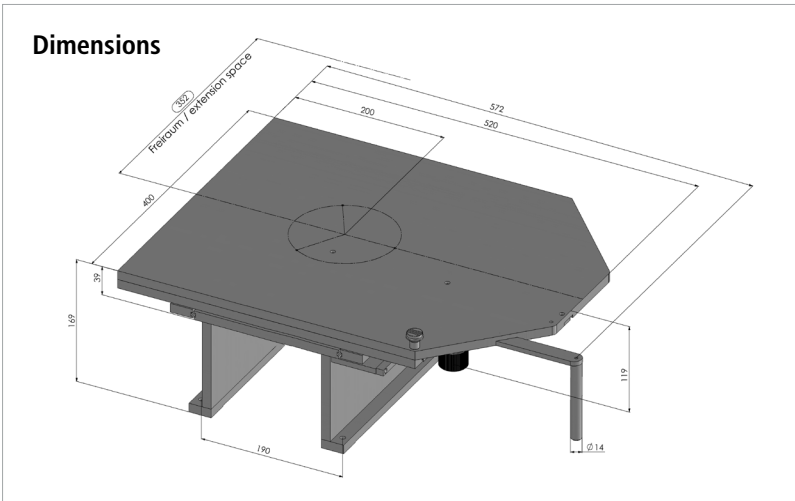
Order No.: 00-23-012-0000

Product Features

- ▶ equipped with patented coarse adjustment
- ▶ fine adjustment via coaxial drive
- ▶ for reflected light applications

Accessories

Vacuum wafer holder, rotatable for 8" and 12" wafers
 Order No.: 00-29-350-8000



For further accessories for microscopy please visit: www.marzhauser.com

